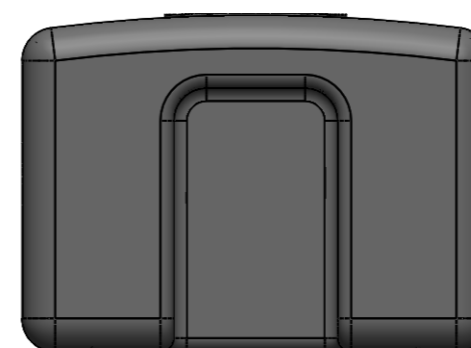
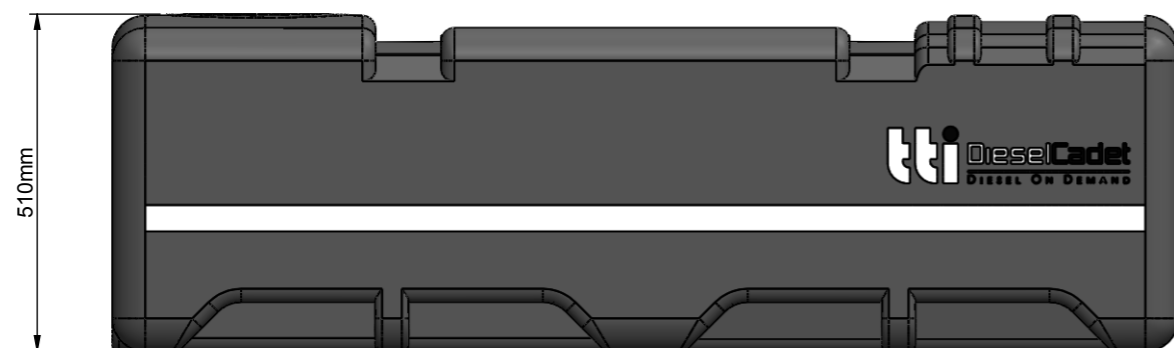
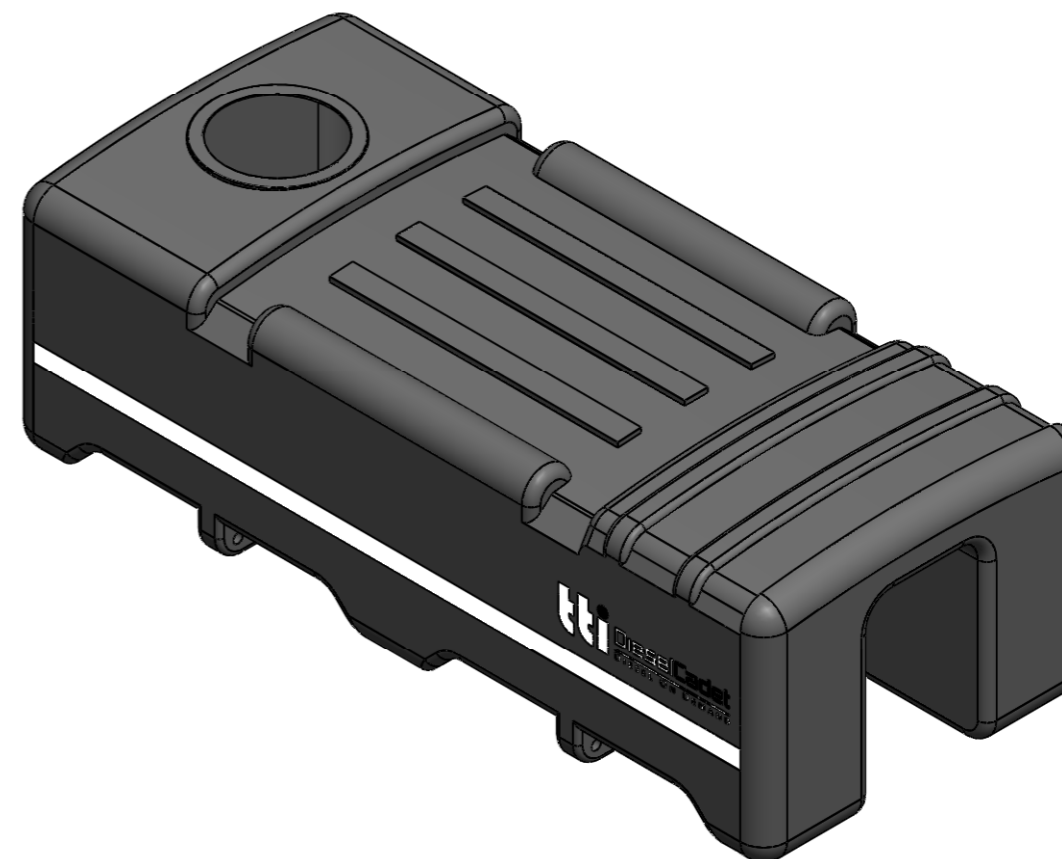
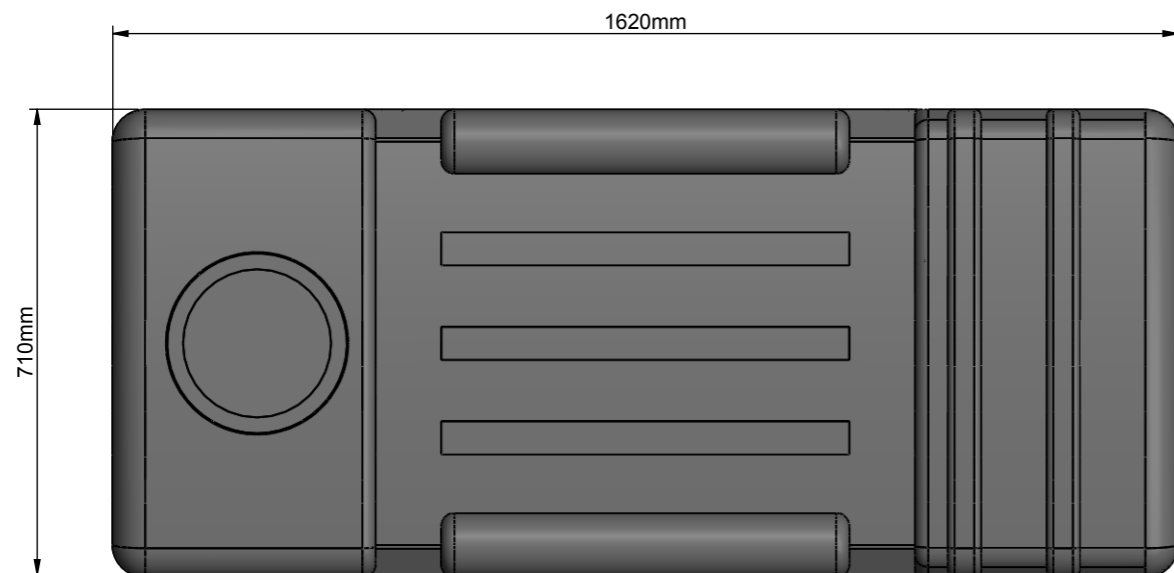


MASS: 75.50 kg  
 ALL DIMENSIONS ARE IN-mm

BENDING: N K-FACTOR:  
 MACHINING: N  
 TAPPING: N



NOTES:  
 1. WORK TO DIMENSIONS. DO NOT SCALE.  
 2. REMOVE ALL VISIBLE BURRS.

GENERAL TOLERANCES UNLESS NOTED  
 • 0 ±0.5  
 • 0.0 ±0.25  
 • 0.00 ±0.1  
 • ANGLE ±1/2°  
 • FINISH 3.2µm



Australia's Safest Tanks and Trailers  
 This drawing is the property of TransTank International. It cannot be copied in part or in full without the written permission of TTI.

SCALE	NONE	DWG NO.	DTC00400L	REVISION	1 OF 1
SHT SIZE	A3	DESCRIPTION	400L DIESEL TANK		
DATE	13/04/2016	FILE NAME	TANK DRAWING		
DRN	JB				
CHK	RB				
APP	RB				

NOTES	REV	DESCRIPTION	DRN	CHK/APP	DATE
1					
2					
3					
4					
5					
6					
7					
8					